

# TRANSFORMERS

## DARK OF THE MOON™

AGES 5+

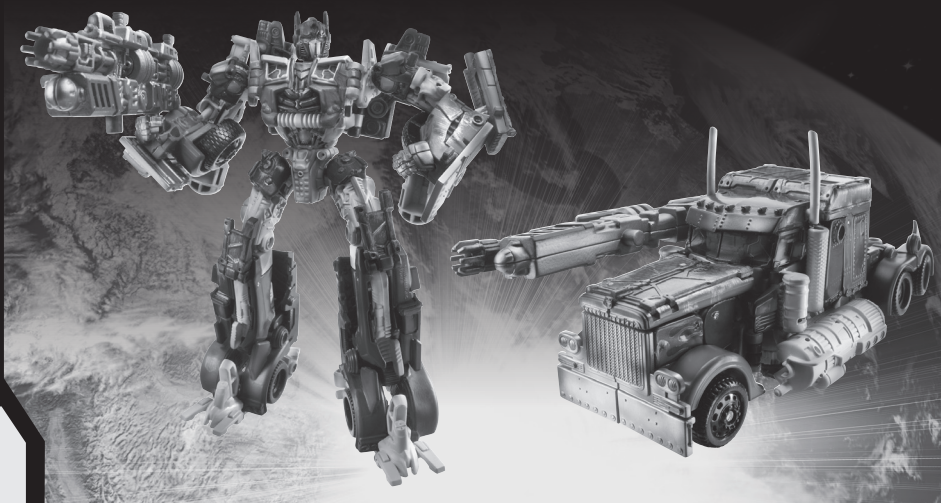
34074

AUTOBOT®

INTERMEDIATE

OPTIMUS PRIME® LEVEL: 1 2 3

NOTE: Some parts are made to detach if excessive force is applied and are designed to be reattached if separation occurs. Adult supervision may be necessary for younger children.



### CHANGING TO VEHICLE

1

2

3

4

5

6

7

8

9

10

11

12

13

14

15

16

17

18

BACK VIEW

VEHICLE MODE

P/N 717402000

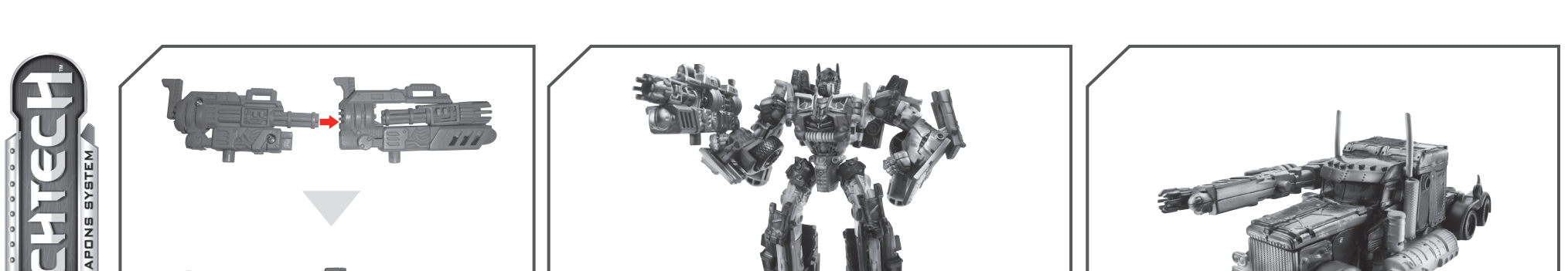
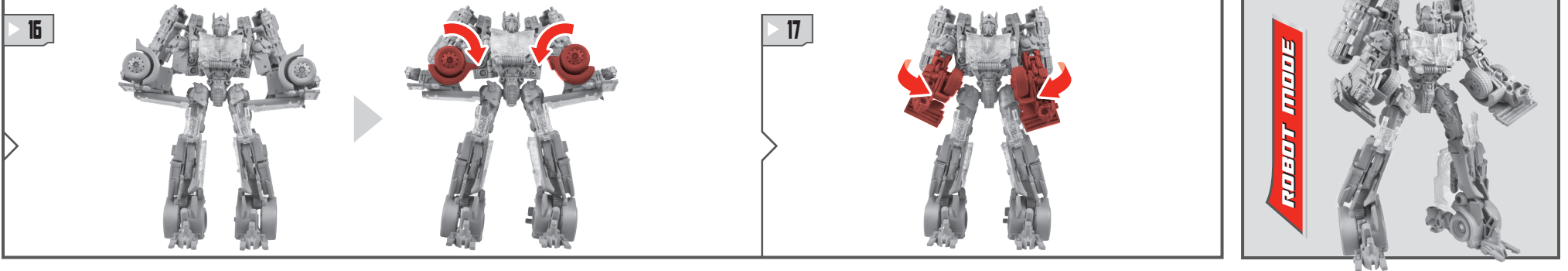
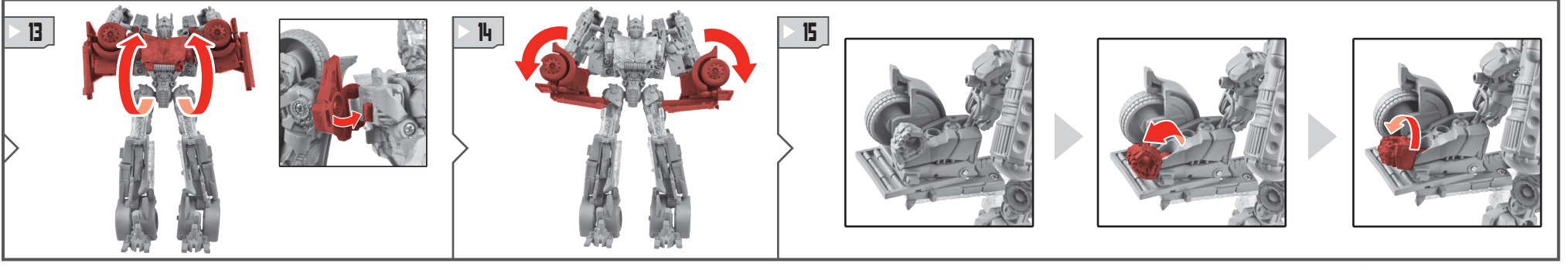
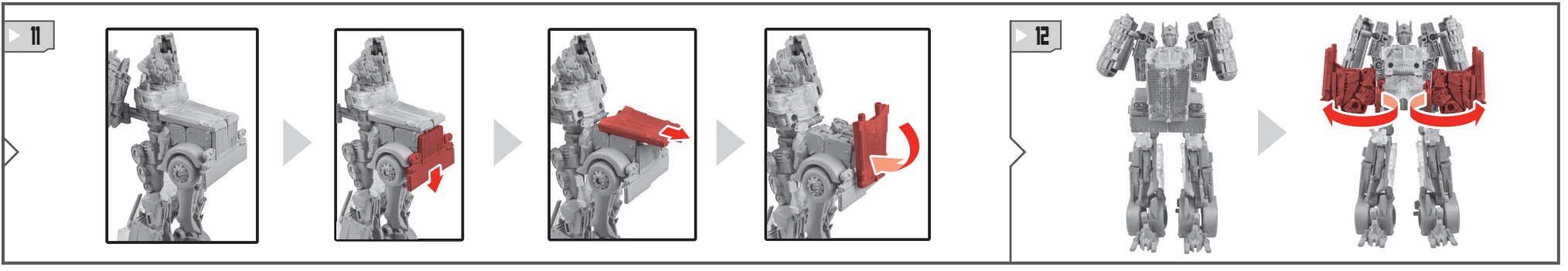
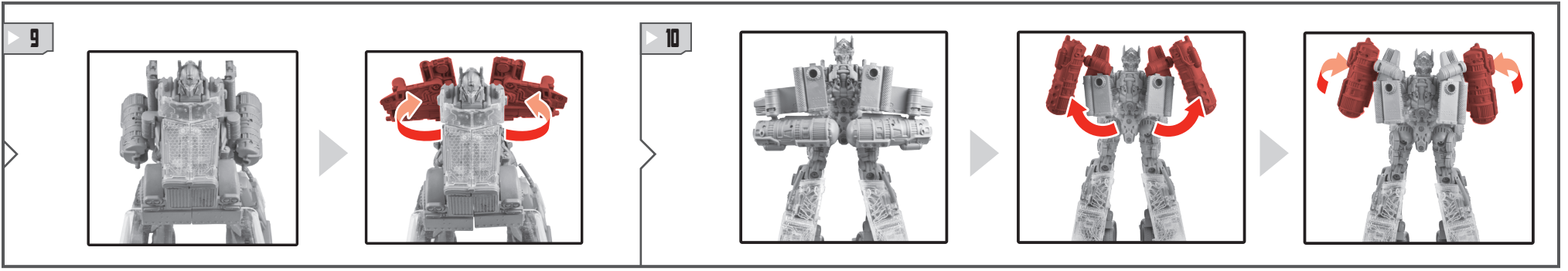
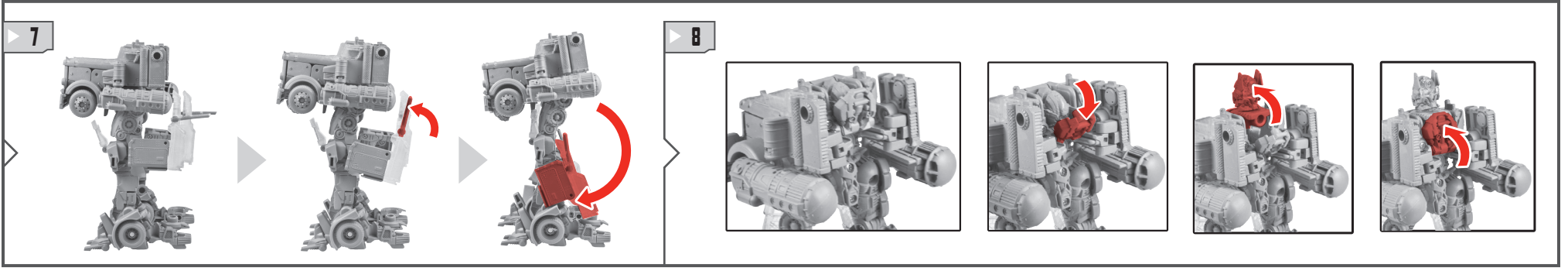
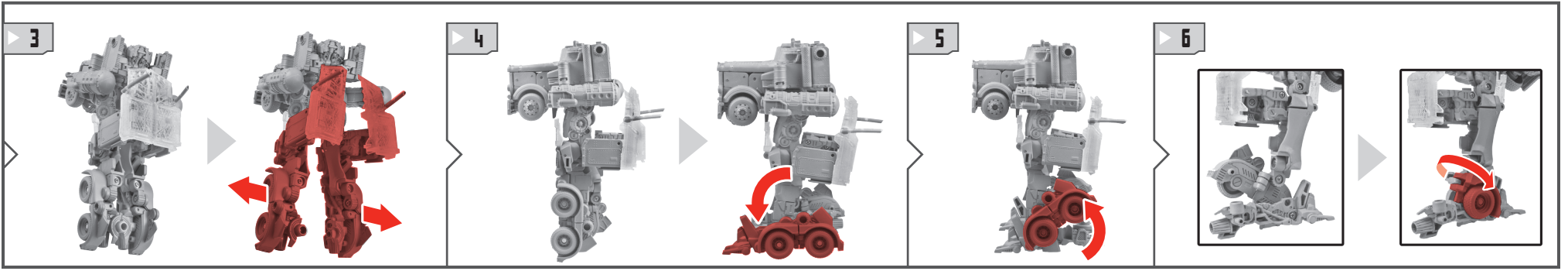
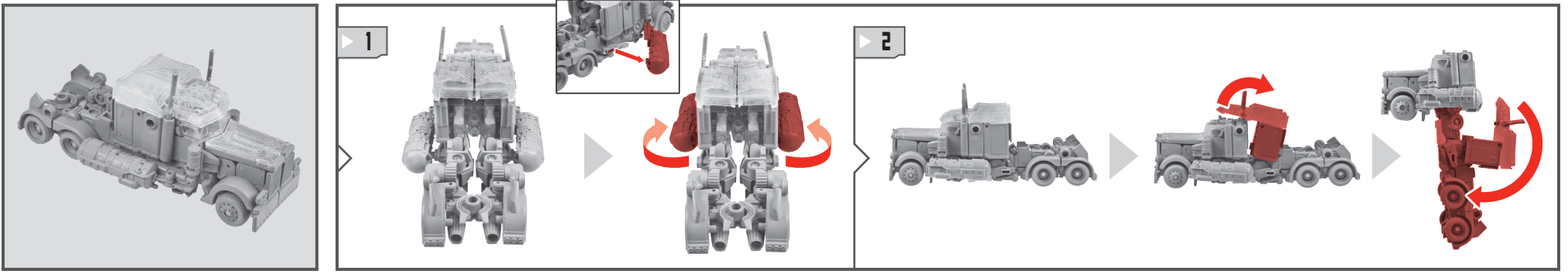


Product and colors may vary. Some poses may require hand support.  
 © 2011 Paramount Pictures Corporation.  
 Manufactured under license from TOMY Company, Ltd.  
 © 2011 Hasbro. All Rights Reserved. TM & © denote U.S. Trademarks.

Retain instructions for future reference.



TRANSFORMERS.COM/INSTRUCTIONS



**MECHTECH**  
WEAPONS SYSTEM

